

8th Grade Geometry: Fall Progress

Questions 1-3: Select the correct answer for each question.

1. Figure B is a scaled drawing of figure A with a scale factor of 5. Find the width for figure B.

Figure A

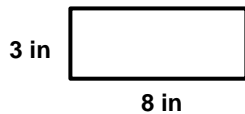


Figure B



- 24in
 40 in
 13 in
 15 in

2. Figure D is a scaled drawing of figure C. Find the missing length in figure D.

Figure C

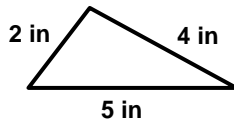
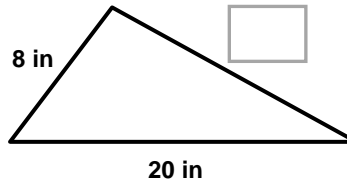


Figure D



- 4 in
 1 in
 16 in
 8 in

3. Figure F is a scaled drawing of figure E with a scale factor of 3. If the area of Figure E is 8 ft^2 , then what is the area of figure F?

Figure E



Area = 8 ft^2

Figure F



Area =

- 17 ft^2
 72 ft^2
 24 ft^2
 11 ft^2



Please stop, put your pencil down and wait for the next directions.



8th Grade Geometry Progress: Fall

(continued)

Questions 4-6: Select the correct answer for each question.

4. Which set of dimensions can be 3 sides of a triangle?

- 6 in, 7 in, and 14 in
- 6 in, 7 in, and 13 in
- 6 in, 8 in, and 14 in
- 6 in, 8 in, and 13 in

5. Two dimensions of a triangle are 4 in and 8 in. Select the length that is possible for the third side of the triangle?

- 4 in
- 12 in
- 3 in
- 10 in

6. Two angle measures of a triangle are 40 and 95 degrees. Select the measurement that is possible for the third angle of the triangle?

- 35 degrees
- 135 degrees
- 55 degrees
- 45 degrees

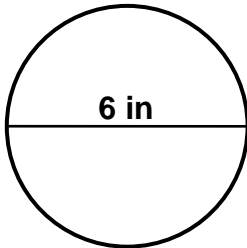


Please stop, put your pencil down and wait for the next directions.

Questions 7-9: Select the correct number and label for each question.

7. Find the circumference of the circle. (Use 3.14 for π .)

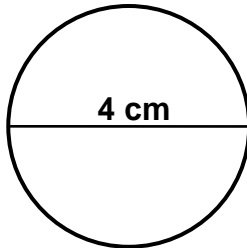
(Note: The figure is not drawn to scale.)



- 37.7 113.1 18.85 226.2
 in in² in³

8. Find the area of the circle. (Use 3.14 for π .)

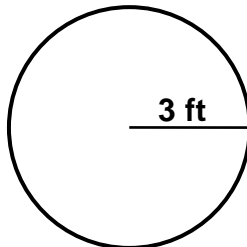
(Note: The figure is not drawn to scale.)



- 50.24 25.12 100.48 12.56
 cm² cm cm³

9. Find the area of the circle. (Use 3.14 for π .)

(Note: The figure is not drawn to scale.)



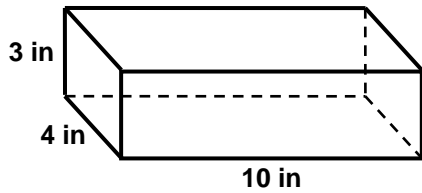
- 37.68 28.26 18.84 113.04
 ft³ ft² ft



Please stop, put your pencil down and wait for the next directions.

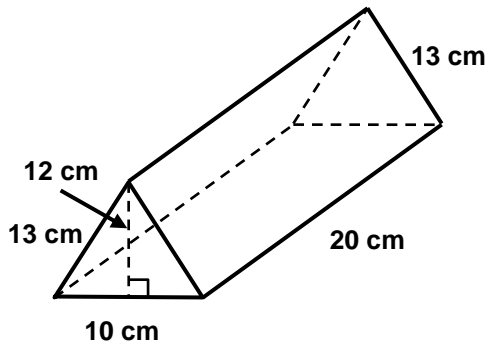
Questions 10-12: Select the correct number and label for each question.

10. Find the surface area of the right prism. (Note: The figure is not drawn to scale.)



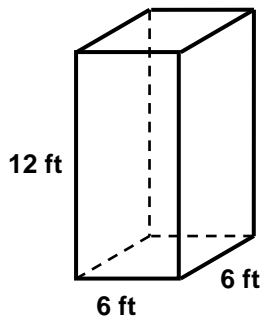
- 104 152 120 164
 in in² in³

11. Find the surface area of the right prism. (Note: The figure is not drawn to scale.)



- 720 840 780 1,200
 cm² cm cm³

12. Find the surface area of the right prism. (Note: The figure is not drawn to scale.)



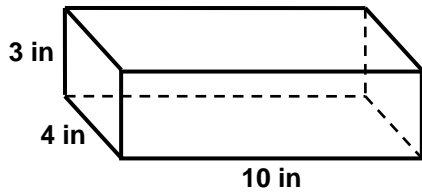
- 324 432 360 288
 ft³ ft² ft



Please stop, put your pencil down and wait for the next directions.

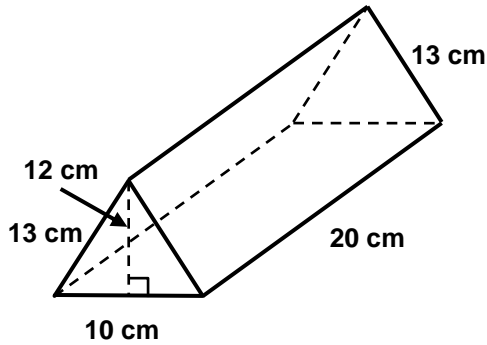
Questions 13-15: Select the correct number and label for each question.

13. Find the volume of the right prism. *(Note: The figure is not drawn to scale.)*



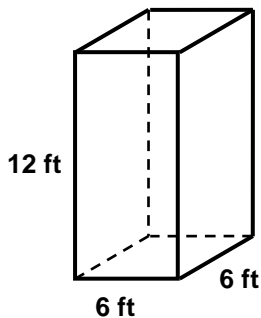
- 104 152 120 164
 in in² in³

14. Find the volume of the right prism. *(Note: The figure is not drawn to scale.)*



- 720 840 780 1,200
 cm² cm cm³

15. Find the volume of the right prism. *(Note: The figure is not drawn to scale.)*



- 324 432 360 288
 ft³ ft² ft



Please stop, put your pencil down and wait for the next directions.